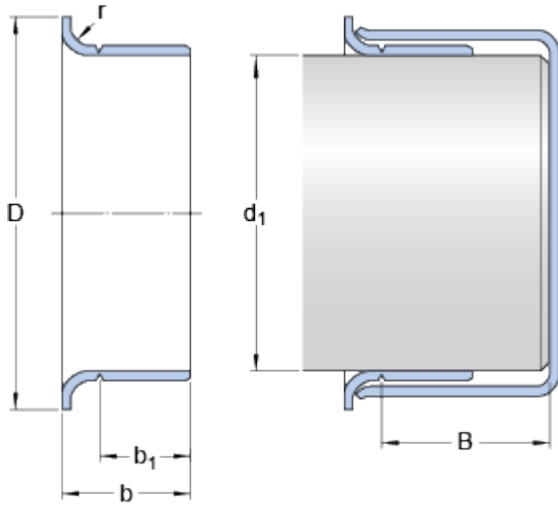


99272

Dimensions



Nominal dimensions

d_1 70 mm

D 79.375 mm

Tolerance \pm 1.6 mm
outside diameter D

b 14.3 mm

Tolerance \pm 0.8 mm
width b

b_1 10.312 mm

Tolerance \pm 0.8 mm
width b_1

B max. 31.75 mm

r max. 3.18 mm

Shaft diameter range

d_1 min. 69.85 mm

d_1 max. 70.028 mm